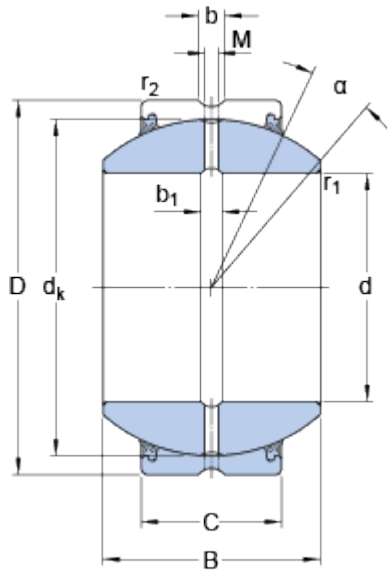


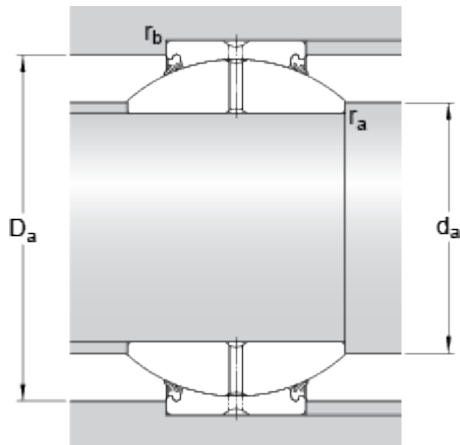
GEH 20 ES-2RS

Dimensions



d		20	mm
D		42	mm
B		25	mm
C		16	mm
α		17	°
d_k		35.5	mm
b		3.1	mm
b_1		3.1	mm
M		2	mm
r_1	min.	0.3	mm
r_2	min.	0.6	mm

Abutment dimensions



d_a	min.	22.7	mm
d_a	max.	25.2	mm
D_a	min.	36.9	mm
D_a	max.	39.2	mm
r_a	max.	0.3	mm
r_b	max.	0.6	mm

Calculation data

Basic dynamic load rating	C	48	kN
Basic static load rating	C_0	240	kN
Specific dynamic load factor	K	100	N/mm ²
Specific static load factor	K_0	500	N/mm ²
Material constant	K_M	330	

Mass

Mass plain bearing	0.16	kg
--------------------	------	----

